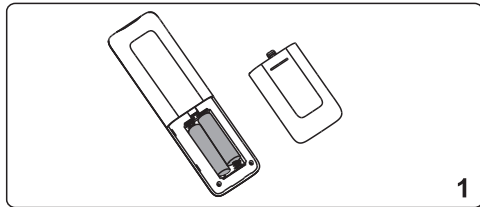


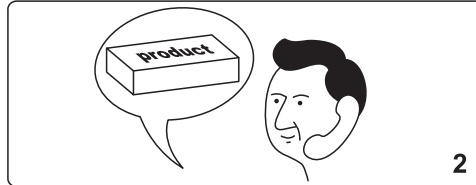
3. The Insensitivity Of Remote Control (The Functional Distance Is Less Than 3m.)

Please replace the batteries. If the problem is still not solved, please contact us to replace remote control.



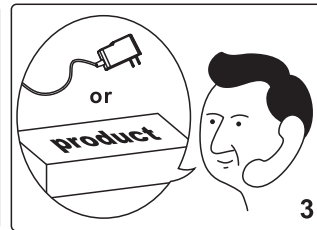
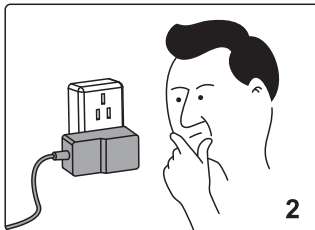
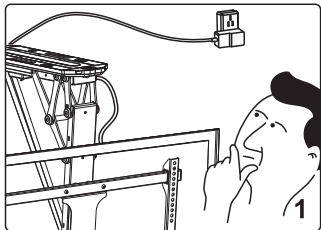
Abnormal Operation: The TV Mount Can't Be Adjusted To 0° Or 75°

Please reset the system by following the instruction manual. If the problem is still not solved, please contact us to replace the product.



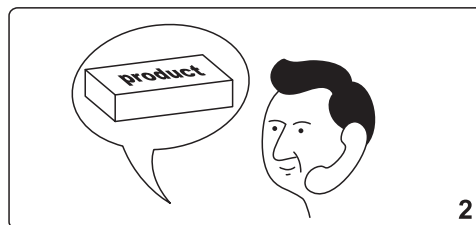
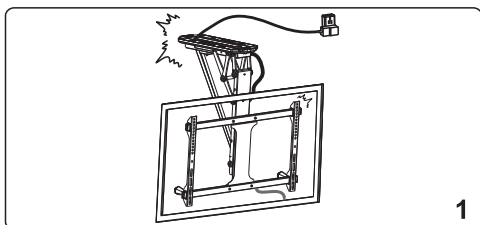
Can't Operate

Please check if the power adaptor is properly connected to the product. If so, please turn the power on. If there is no buzzer sound or red light power indication, please check if the power adaptor works properly. If the power adaptor doesn't work please contact us to replace the power adaptor. If the power adaptor works properly, but the TV mount doesn't work, please contact us to replace the product.

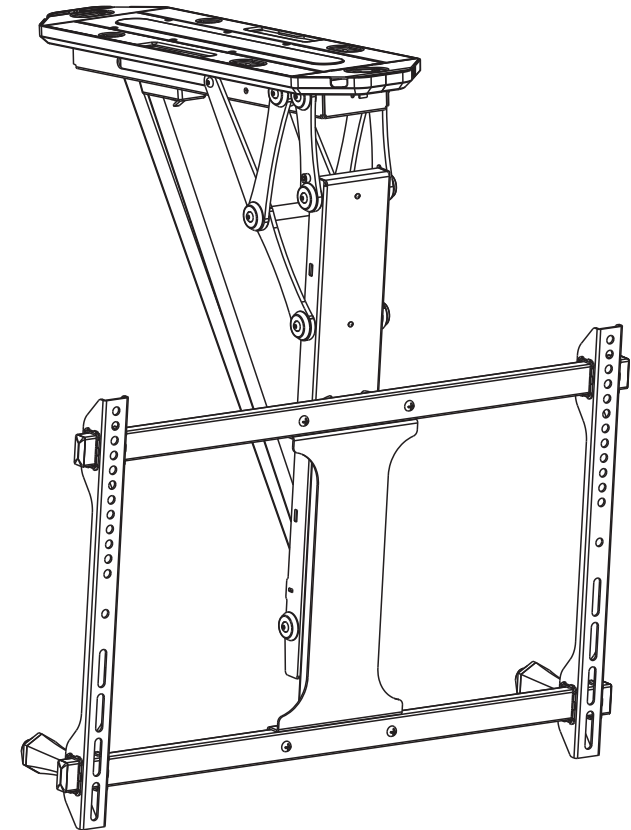


Abnormal Noise

Please contact us to replace the product.



Motorized TV Ceiling Mount



FA-MFD-70



200x100 200x200
200x400 300x200
300x300 400x200
400x300 400x400
600x400



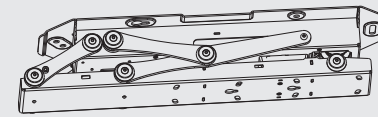
NOTE: Read the entire instruction manual before you start installation and assembly.

⚠ WARNING

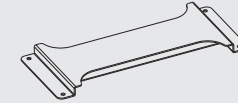
- Do not begin the installation until you have read and understood all the instructions and warnings contained in this installation sheet. If you have any questions regarding any of the instructions or warnings, please contact your local distributor.
- This mounting bracket was designed to be installed and utilised ONLY as specified in this manual. Improper installation of this product may cause damage or serious injury.
- This product should only be installed by someone with good mechanical ability who has basic building experience and fully understands this manual.
- Make sure that the supporting surface will safely support the combined weight of the equipment and all attached hardware and components.
- Always use an assistant or mechanical lifting equipment to safely lift and position the equipment.
- Tighten screws firmly, but do not over tighten. Over tightening can cause damage to the items, This greatly reduces their holding power.
- This product is intended for indoor use only. Using this product outdoors could lead to product failure and personal injury.
- Please do not disassemble or change the electronic components of the product without authorization.

Component Checklist

IMPORTANT: Ensure that you have received all parts according to the component checklist prior to installation. If any parts are missing or faulty, telephone your local distributor for a replacement.



motorized wall mount (x1)
A



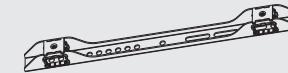
back plate (x1)
B



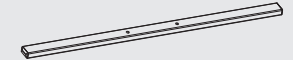
ceiling template (x1)
C



decorative cover (x2)
D



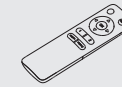
TV arm bracket (x2)
E



bracket rails (x2)
F



power supply (x1)
G



remote control (x1)
H



cable tie (x4)
I



leveling knob (x2)
J



the set screw (x4)
K



round head phillips screw (x4)
L



washer (x4)
M



hexagon nut (x4)
N



hexagon socket head screw (x4)
O



allen key (x1)
P

Package M



M5x14 (x4)
M-A



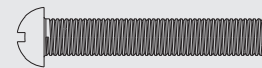
M6x14 (x4)
M-B



M6x30 (x4)
M-C



M8x30 (x4)
M-D



M8x50 (x4)
M-E



washers (x4)
M-F

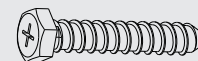


small spacers (x8)
M-G

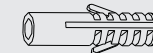


big spacers (x8)
M-H

Package W



ST6.3x55 (x6)
W-A

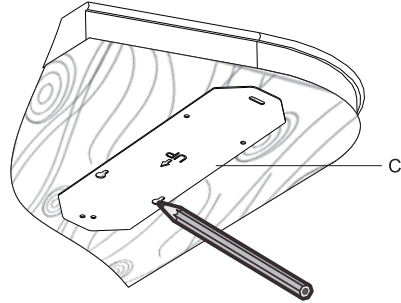
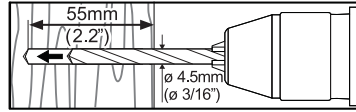


concrete anchor (x6)
W-B

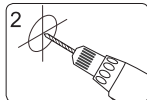
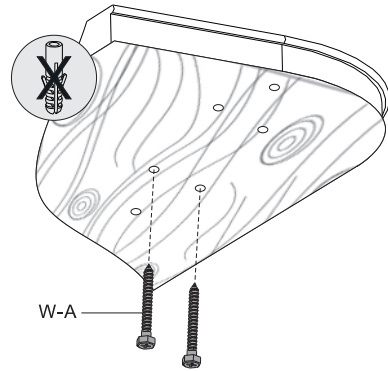


D6 washer (x4)
W-C

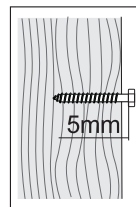
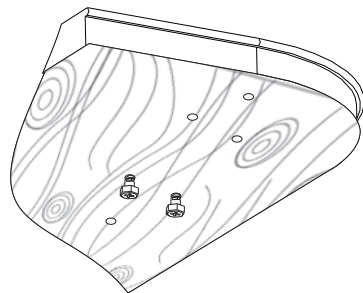
1a. Attach Mount to Wooden Ceiling



1
Mark the exact location of mounting holes



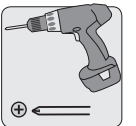
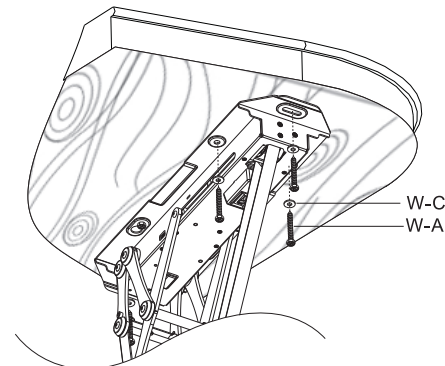
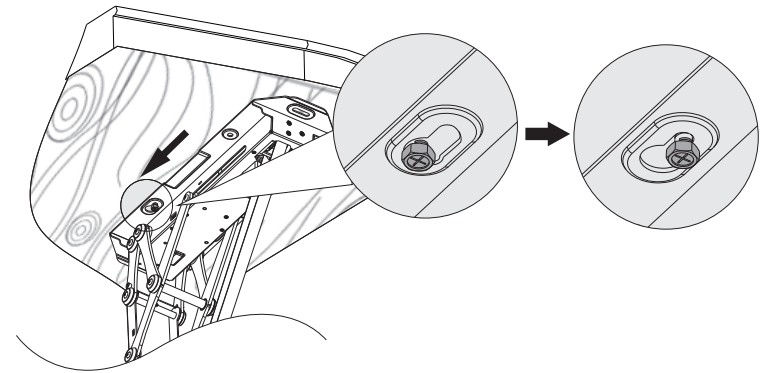
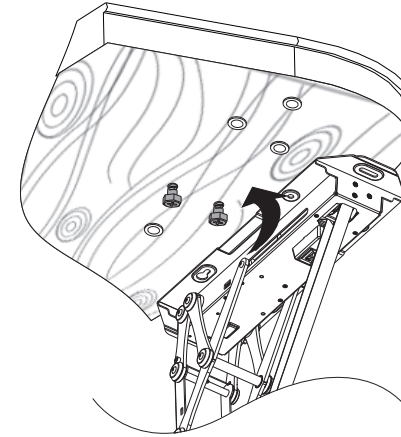
2
Drill pilot holes



Tighten two screws leaving a 5mm space from the ceiling.

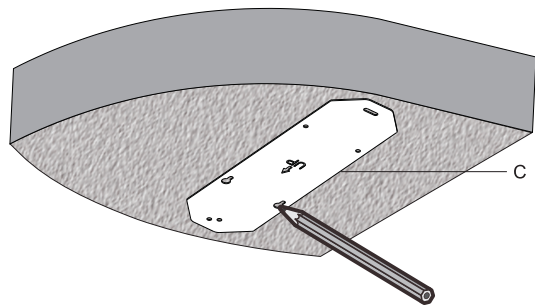
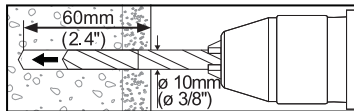
! WARNING

- Installers are responsible to provide hardware for other types of mounting situations.
- Installers must verify that the supporting surface will safely support the combined weight of the equipment and all attached hardware and components.

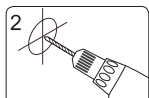
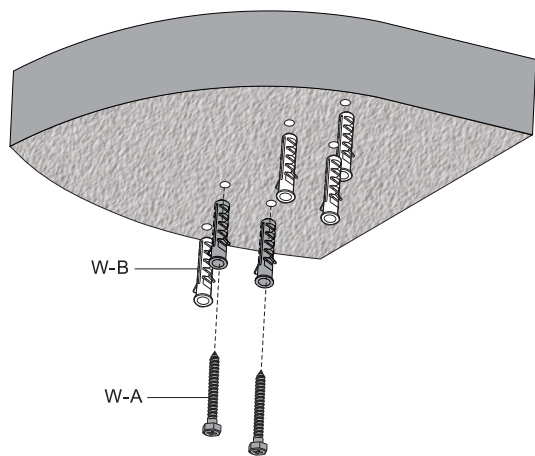


Screw the ceiling mount onto the ceiling

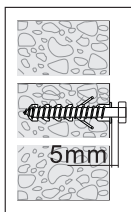
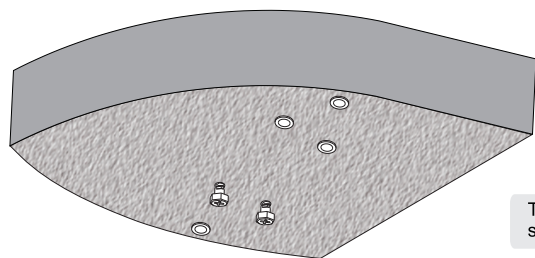
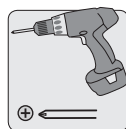
1b. Attach Mount to Solid Brick or Concrete



Mark the exact location of mounting holes



Drill pilot holes

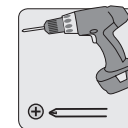
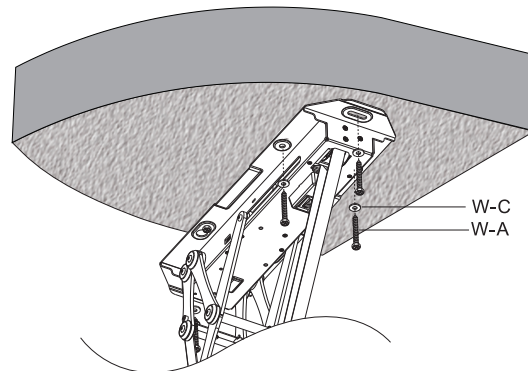
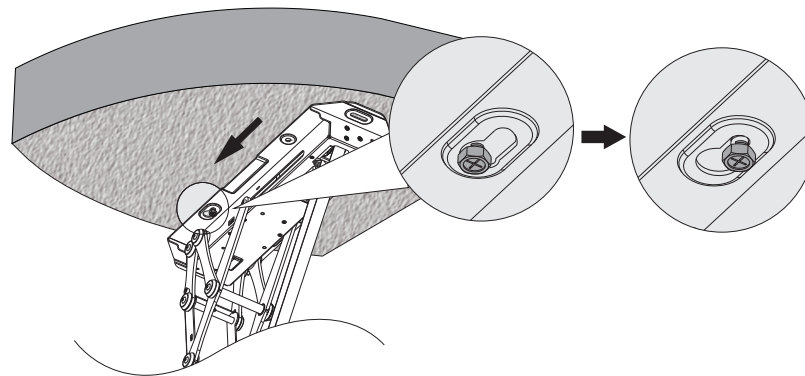
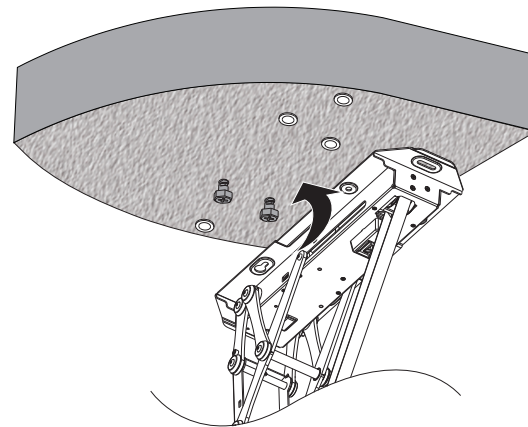
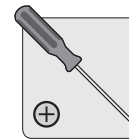


Tighten two screws leaving a 5mm space from the ceiling.

⚠ WARNING

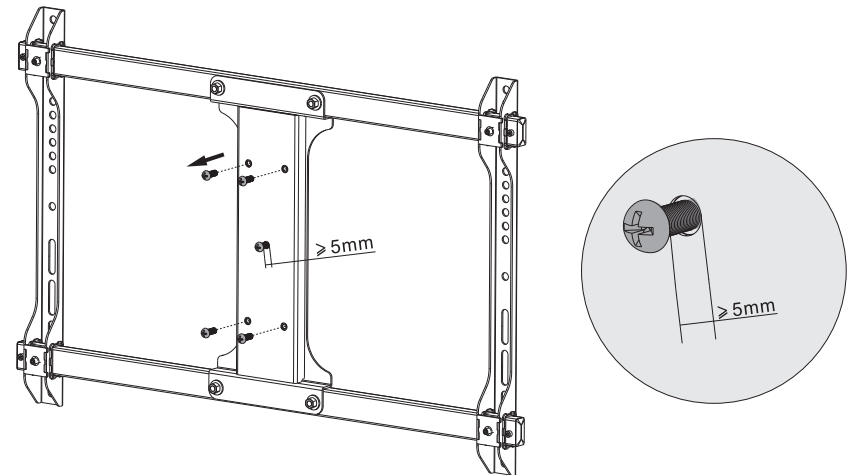
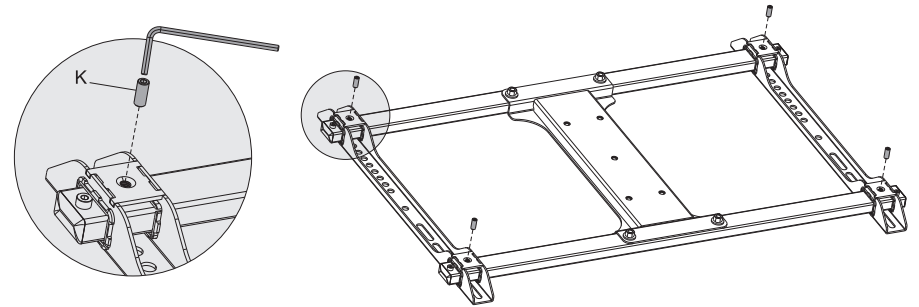
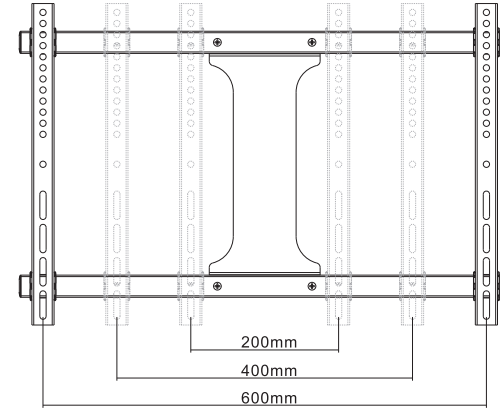
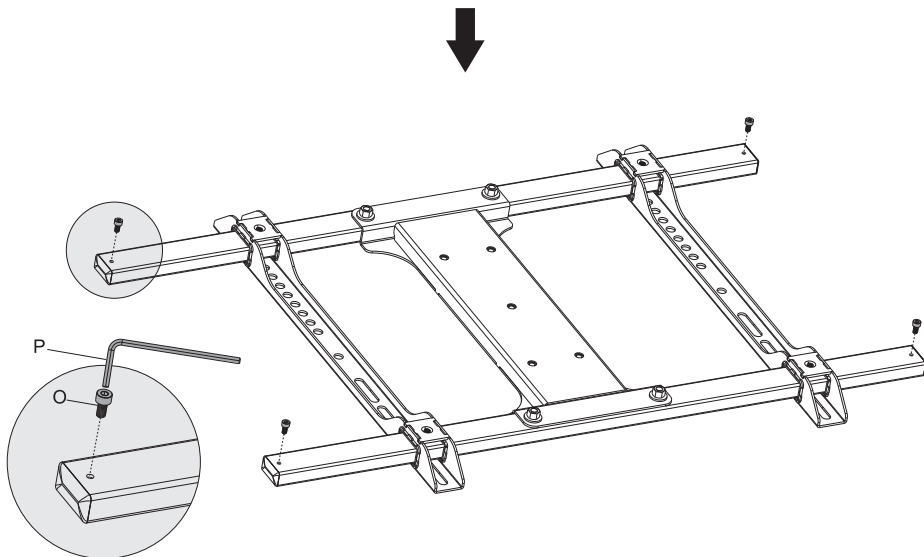
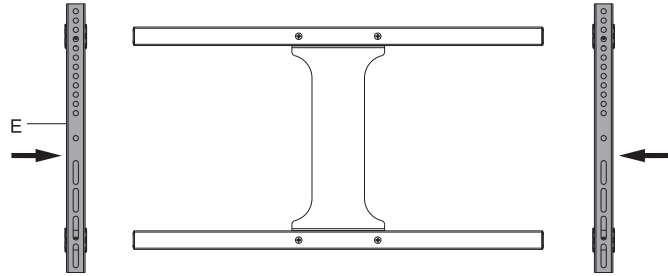
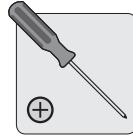
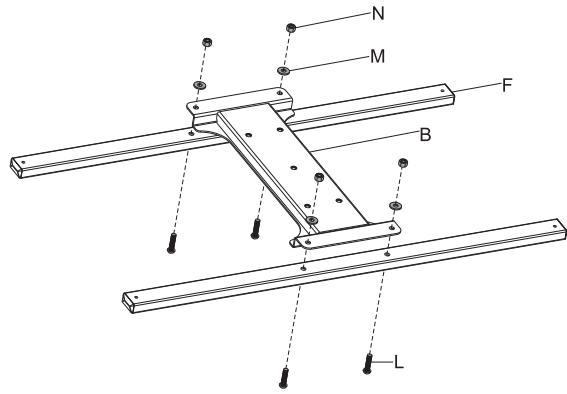
Installers must verify that the supporting surface will safely support the combined weight of the equipment and all attached hardware and components.

2. Attach Mount to Ceiling

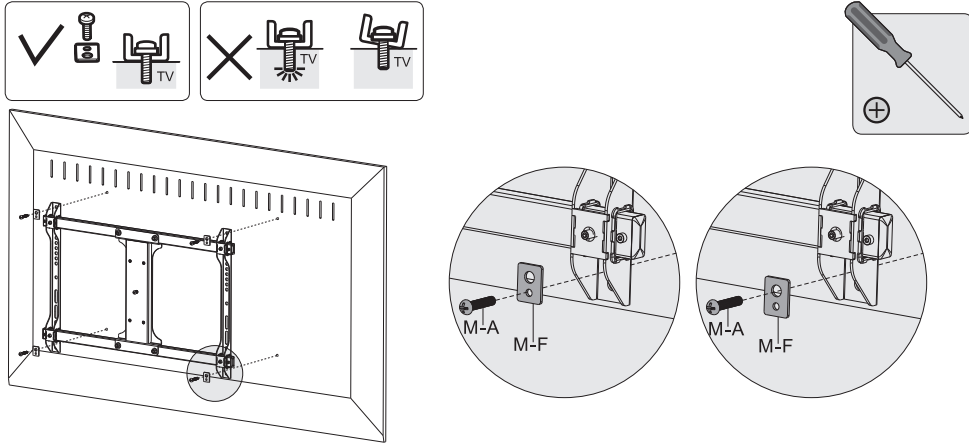


Screw the ceiling mount onto the ceiling

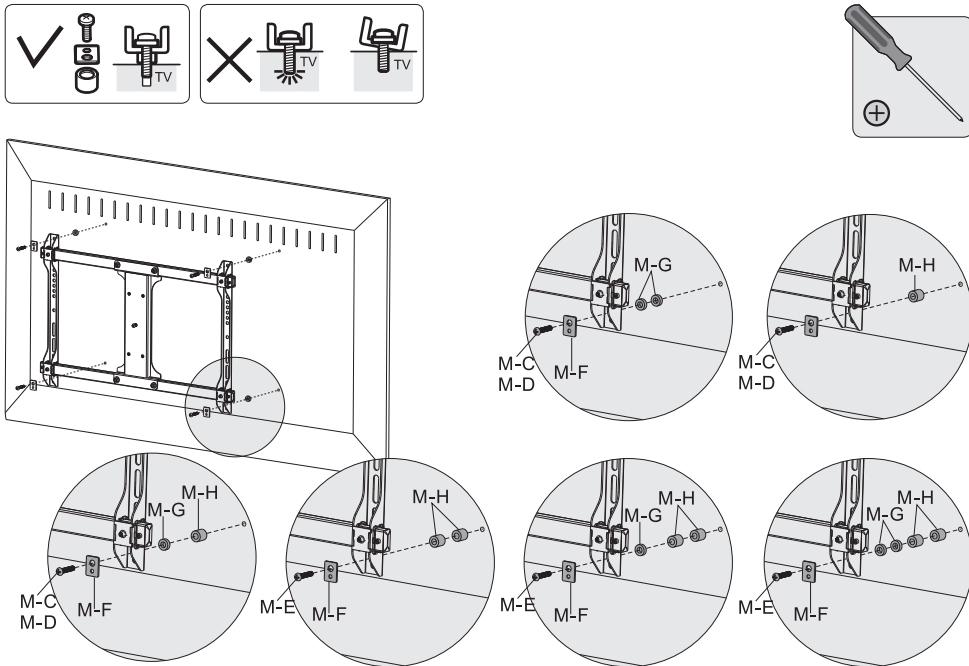
2. Assemble the TV Bracket



3a. Attach TV Bracket to Flat Back Screen



3b. Attach TV Bracket to Irregular Back Screen

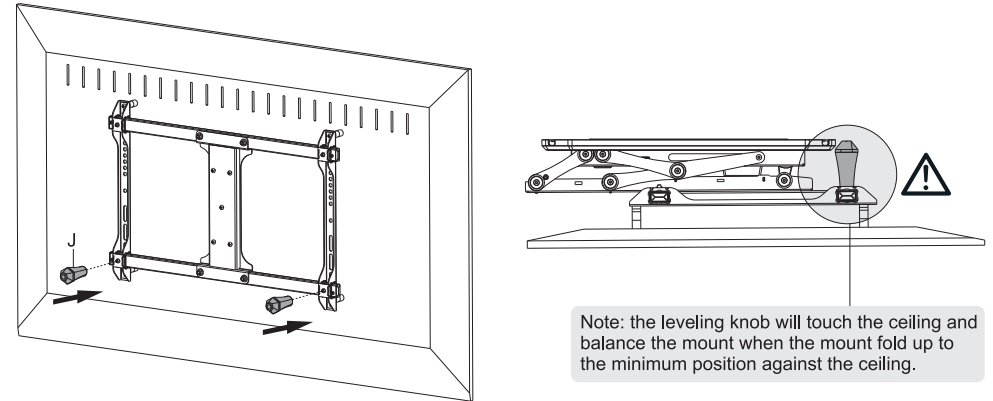


Note: Choose the appropriate screws, washers and spacers (if necessary) according to the type of screen.

- Screw the VESA plate onto the TV.
- Position the VESA plate as close as possible to the middle of the screen.

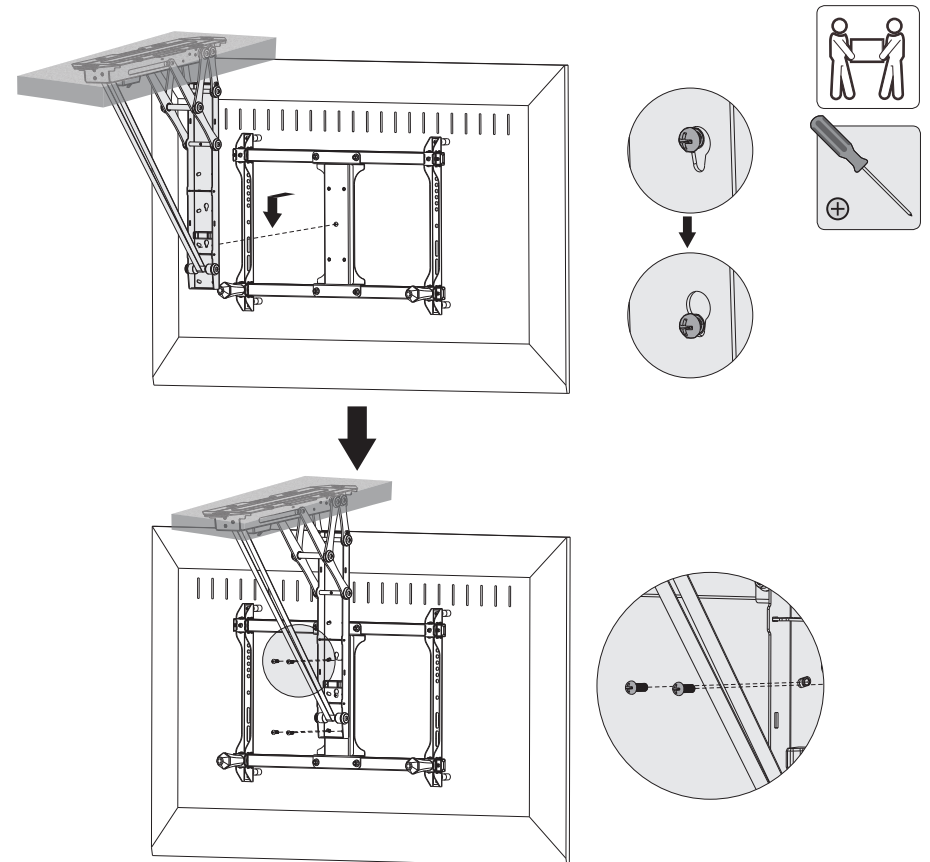
! Tighten all screws but do not over tighten.

4. Attach the Leveling Knob (optional)




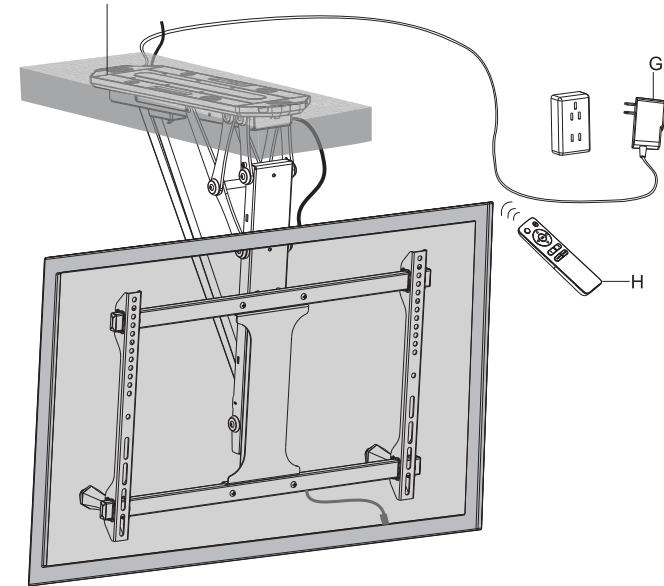
Note: the leveling knob will touch the ceiling and balance the mount when the mount folds up to the minimum position against the ceiling.

5. Hang the TV



7. Adjust TV to the Desired Position

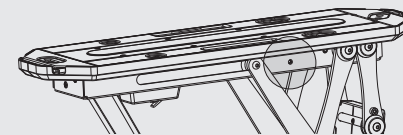
 Do not open the electrical cover please.



 Never operate the unit without a TV installed.

Remote Control Operation Instructions

A. Coding of Remote Controller and Control Box

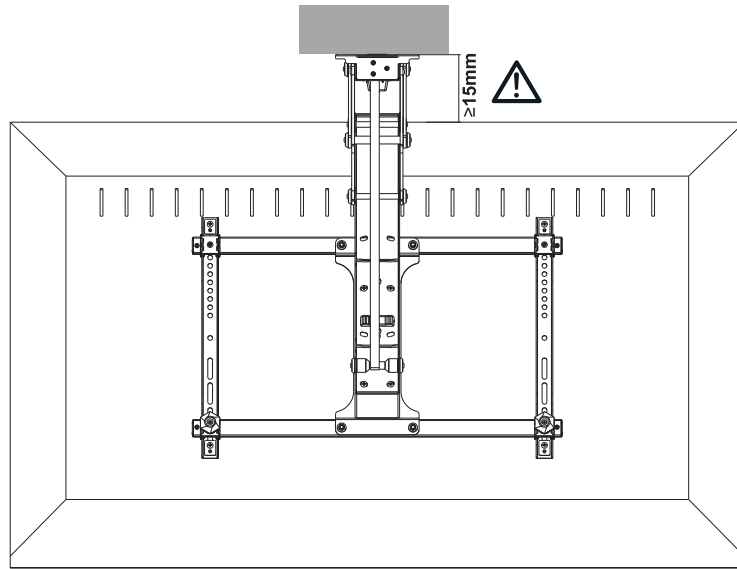


Step 1:

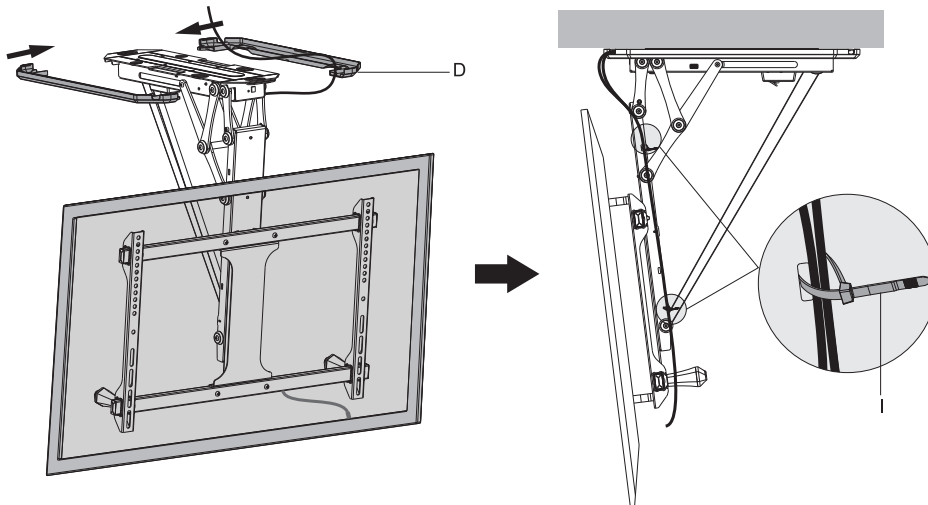
When the mount is powered on, press the code matching button on the mount with a thin needle or a paperclip. The unit will emit repeatedly beeps for about 10 seconds, meanwhile press the "SET" button on the remote controller.

Step 2: Now please don't press any button or it will cause the matching process error. The process will be finished automatically until you can't hear a beep any longer.

Note: The TV Mount can be matched with up to 20 remote controllers. **To clean up the data of all the remote controllers,** press and hold the code matching button for 5 seconds then release. The unit will emit two beeps confirm the successful clean up and vice versa.



6. Attach the Decorative Cover and Route the Cable

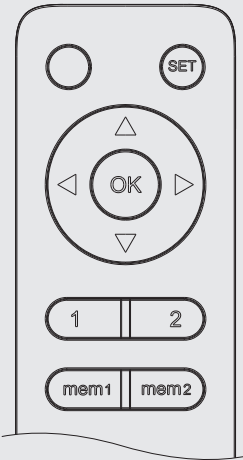


 Anything is not allowed to pass through the mount motion space.

Use the cable ties to hold the cables in place.
Note: Leave slack in the cables for arm movement.

B. Button Functions

RMT-02
remote control



1.Upward/Downward Movement

Press the "△" button, the TV mount will move upward to the lowest-profile position against the ceiling. Press the "▽" button, the TV mount will move downward to the maximum tilt angle position (75° by default). Press the "OK" button to stop the motion. (Tips: Clear up all obstacles within the range of motion.)

2.Memory Setting

Press the "mem1" or "mem2" button for 1 seconds and you will hear a beep, indicating that the current position has been saved to memory. The "mem1" or "mem2" buttons can each store a different position.

3.Recall Memory

Press the "1" or "2" button and the mount will automatically get to the position saved in the corresponding button "mem1" or "mem2".

4. Reset Mode

If the TV mounts can't be adjusted to 0° or the max. tilting angle you previously set, press and hold the "OK" button for 5 seconds and the mount will retract to the lowest-profile position.

5.Reset the Tilt Range for Pitched Ceiling

The TV mount is 0°~75° tilt adjustable by default for flat ceiling. Please reset the tilt range if you use as a pitched ceiling TV mount.

Step 1: Reset the system (Instructions on 4. Reset Mode)

Step 2: Press "▽", "△" and "OK" buttons and adjust to the proper position.

Step 3: Press and hold the "mem1" button until the unit beeps once. Repeat this step 5 times. The unit will emit a long beep to indicate success.

Note: The remote controller is powered by two AAA batteries (not included).

C. Manual Mode

In any position (but the minimum position against the ceiling), when manually push up the TV ceiling mount over a distance. The TV ceiling mount will automatically return back to the minimum position against the ceiling.

8. Repair

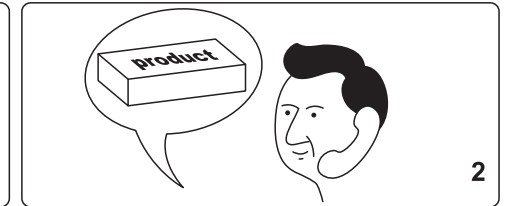
In Front

This repair guide intends to help you identify and solve the minor problems caused by unusual operation of the electric system of our electric TV mounts. The simple procedures in this manual are easy to follow and capable of solving the most problems happened in everyday use.

Error Indication

1. The Buzzer Constantly Gives Out Alarm Sound: The Error Of Positioning Signal

Reset the system by following the instruction manual. If the alarm sound continues, please contact us to replace the product.

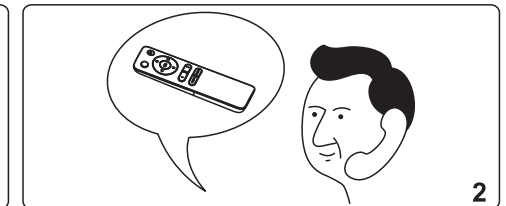
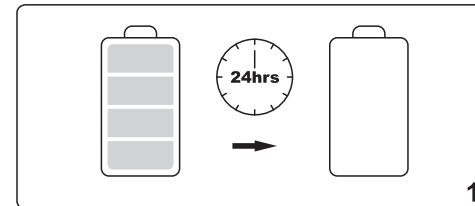


Remote Control Problems

1. Abnormal Loss Of Power

(Normally Batteries Are Out Of Power After 24hrs Without Using The Remote Control.)

Please contact us to replace remote control.



2. Buttons On Remote Control Don't Work.

Please check if the batteries have power. If the problem isn't solved, please contact us to replace the remote control. If the problem is still not solved after the replacement, please contact us to replace the product.

