

# High Speed Linear Actuator



## Standard Features and Benefits

- **Internal limit switches** automatically shut off the unit at the end of stroke
- **Standard stroke lengths** of 2, 4, 6, 8, 10, 12, 18, 22, 24, 28, 32, 36 and 38 inches are available
- **22 lbs. of force** at an extension speed of 4.5 inches per second
- **IP 54 rated** - dust protected and splash proof
- **Temperature operating range** of -15°F to 150°F (-26°C to 65°C)
- **High grade aluminum housing** resists corrosion
- **Maintenance free**
- **CE and RoHS certified**

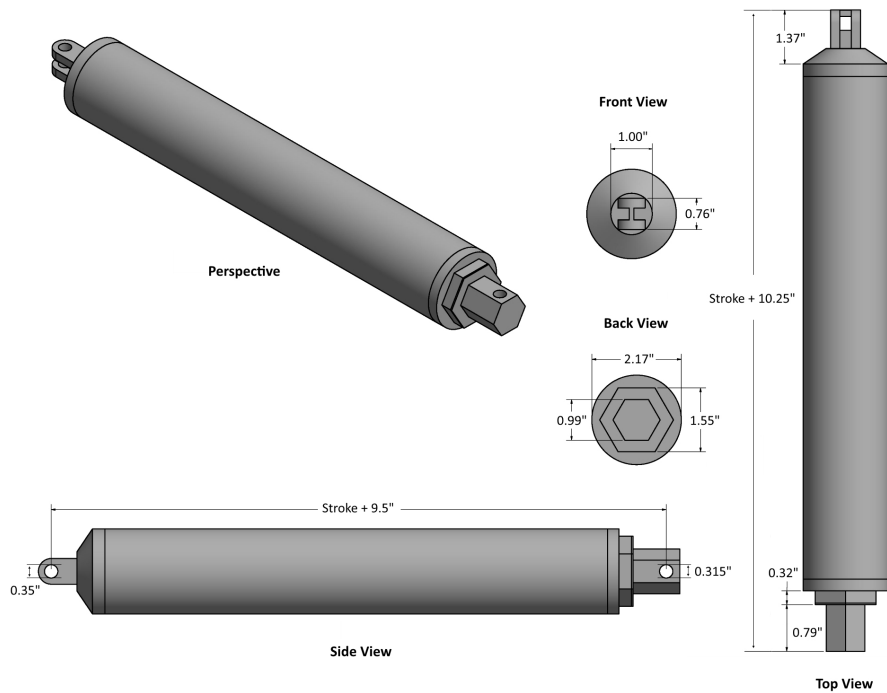
High Speed Linear Actuators are able to move at a remarkable 4.5 inches per second when at their full capacity of 22 lbs. Available in various stroke lengths with built in limit switches, this actuator is great for any high-speed application. Manufactured with high grade aluminum for a light weight housing, the High Speed Linear Actuator provides fast, consistent performance with zero maintenance.

## Specifications

<b>Model</b>	<b>FA-RA-22-12-XX</b>
<b>Dynamic Force</b>	22 lb
<b>Static Force</b>	44 lb
<b>Speed (inches/second)</b>	4.5 inches
<b>Duty Cycle</b>	20% at 100% load, 50% at 25% load, absolute max. 5 min. continuous use
<b>Stroke Length</b>	2, 4, 6, 6, 8, 10, 12, 18, 22, 24, 28, 32, 34 and 36 inches
<b>IP Rating</b>	54
<b>Input</b>	12 volt DC
<b>Max Draw</b>	5 A
<b>Clevis End</b>	1/4" diameter
<b>Operational Temperature</b>	-15°F to 150°F (-26°C to 65°C)
<b>Limit Switch</b>	Built-in (factory preset)
<b>Safety Certifications</b>	CE, RoHS
<b>Brackets</b>	MB8

## Dimensions and Weight

Stroke	Retracted Length	Extended Length	Weight
2 "	11.5 "	13.5 "	3.50 lbs
4 "	13.5 "	17.5 "	3.75 lbs
6 "	15.5 "	21.5 "	4.00 lbs
8 "	17.5 "	25.5 "	4.25 lbs
10 "	19.5 "	29.5 "	4.60 lbs
12 "	21.5 "	33.5 "	4.80 lbs
18 "	27.5 "	45.5 "	6.00 lbs
24 "	33.25 "	61.25 "	6.75 lbs
28 "	37.25 "	65.25 "	7.25 lbs
32 "	41.25 "	69.25 "	7.75 lbs



**FA-RA-22-12-X**

## Performance Graphs

